

Room Temperature

RS-1100

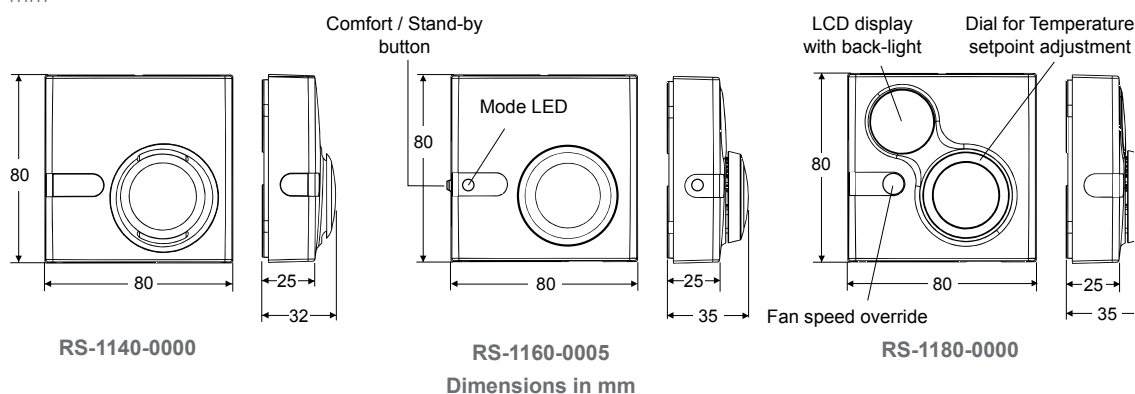
Room command module

The RS-1100 room command modules are designed for use with any type of Johnson Controls or third party HVAC controllers that can accept a 0...10 V signal directly proportional to the sensed temperature.

Models are available with and without LCD display, room temperature setpoint adjustment dial, temporary occupied override function and fan speed button.

Features

- ▶ Power supply
 - 15 VDC (all models)
 - 24 VAC / VDC (only models with display)
- ▶ 0...10 VDC temperature output
- ▶ Remote temperature setpoint adjustment,
- ▶ Occupancy override function, (models with or without display)
- ▶ Room enclosures 80 x 80 mm
- ▶ Protection class: IP30
- ▶ Fan speed button



Ordering information

Codes	Temperature output	LCD display	Setpoint dial scale	Temporary occupancy override function	Fan speed override
RS-1140-0000	0...10 VDC	---	---	---	---
RS-1160-0000		---	12...28 °C	Pushbutton	---
RS-1160-0005		---	+/-		---
RS-1180-0000		•	12...28 °C	Integrated	---
RS-1180-0005		•	+/-		---
RS-1190-0000		---	12...28 °C	---	---
RS-1190-0005		---	+/-		---
RS-1180-0002		•	12...28 °C	Integrated	•
RS-1180-0007		•	+/-	Integrated	•

Accessories (order separately)

Codes	Description
TM-1100-8931	Plastic surface mounting kit
TM-9100-8900	Special tool for opening enclosure